

120 × 25mm

Neo120 轴流系列

Jiangsu Fluid&Turbine Technology Co., Ltd.
 Building 5 No.6 Suyuan Road Xuanwu District
 Nanjing Jiangsu CHINA
 Phone +86(025)85766799



Technical description ▼

Material	Frame:aluminum(ADC12), Vane:PBT (30%GF) UL: 94V-0
Expected life	70000 hours continuous at 40℃
Insulation impedance	The minimum impedance between 500VDC internal stator and lead is 10mΩ
Dielectric Strength	The maximum current between the frame and the positive terminal is 5mA (500VDC, 50Hz, 1min)
Direction of rotation	Counterclockwise, viewed toward rotor
Motor protection function	Fan blade locking protection function, lead polarity reverse connection function
Operating temperature range	-40℃ ~ 85℃, 5%~95%RH
Storage Temperature Range	-55℃ ~ 85℃, 5%~95%RH
Weight	250g

Frame material: aluminum alloy, PBT, PPS (optional)

Motor optional function list ▼

Motor protection

RP	SS	AS	CL	OV	CS
Reverse Protect	Soft Start	Assured Service	Current Limiting	Over Voltage	Constant Speed
Default	Default	Default	Optional	Optional	Optional

Signal output

FG	RD	LD
Feedback	停转告警	设定告警
Optional	Optional	Optional

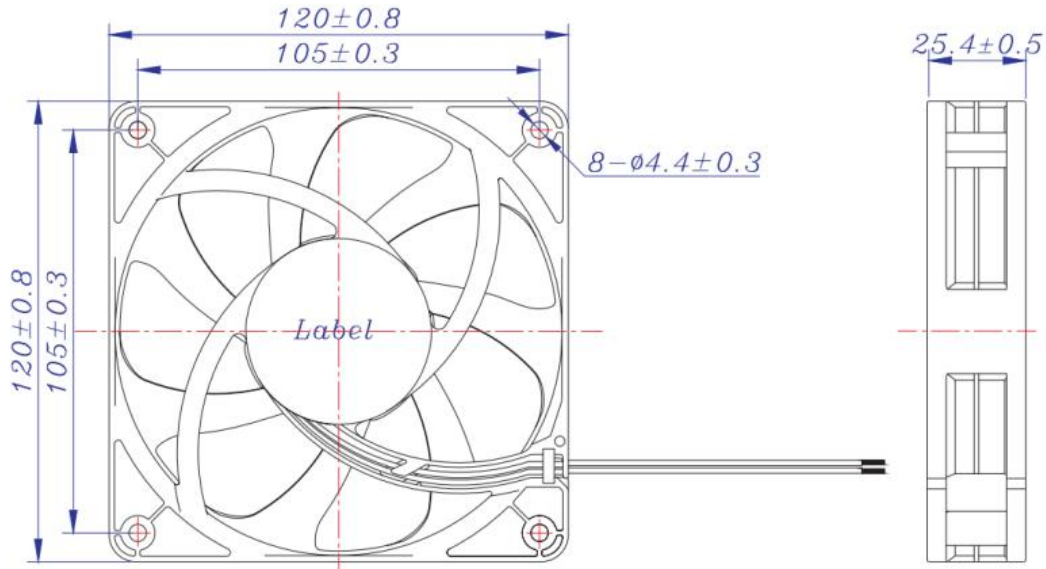
Speed regulation mode

PPWM	VPWM	TC	RC
占控比调速	电压调速	温控调速	电阻调速
Optional	Optional	Optional	Optional

Other products ▼

Type	Rated voltage	Operating voltage range	Rated current	Input power	Rated speed	maximum air volume		Maximum static pressure		Noise
	[V]	[V]	[A]	[W]	[RPM]	[m ³ /h]	[CFM]	[mmAq]	[Pa]	[dB(A)]
NDS12025B12XC	12	6~13.8	0.29	3.48	2500	151.2	89.0	4.88	47.8	37.8
NDS12025C12XC	12	6~13.8	0.50	6.00	3000	178.2	105.0	6.83	67.0	38.9
NDS12025B24XC	24	12~27.6	0.15	3.48	2500	151.2	89.0	4.88	47.8	37.8
NDS12025C24XC	24	12~27.6	0.25	6.00	3000	178.2	105.0	6.83	67.0	38.9

Product drawing ▼



Curves ▼

