

60 × 32mm

Neo60 轴流系列

Zeiss Aerodynamics Co., Ltd.

Building 5 No.6 Suyuan Road Xuanwu District

Nanjing Jiangsu CHINA

Phone +86(025)85766799



Technical description ▼

| | |
|-----------------------------|---|
| Material | Frame:aluminum(ADC12), Vane:PBT (30%GF) UL: 94V-0 |
| Expected life | 70000 hours continuous at 40℃ |
| Insulation impedance | The minimum impedance between 500VDC internal stator and lead is 10mΩ |
| Dielectric Strength | The maximum current between the frame and the positive terminal is 5mA (500VDC, 50Hz, 1min) |
| Direction of rotation | Clockwise, viewed toward rotor |
| Motor protection function | Fan blade locking protection function, lead polarity reverse connection function |
| Operating temperature range | -40℃～85℃, 5%~95%RH |
| Storage Temperature Range | -55℃～85℃, 5%~95%RH |
| Weight | 100g |

Frame material: aluminum alloy, PBT, PPS (optional)

Motor optional function list ▼

Motor protection

| RP | SS | AS | CL | OV | CS |
|-----------------|------------|-----------------|------------------|--------------|----------------|
| Reverse Protect | Soft Start | Assured Service | Current Limiting | Over Voltage | Constant Speed |
| Default | Default | Default | Optional | Optional | Optional |

Signal output

| FG | RD | LD |
|----------|----------|----------|
| Feedback | 停转告警 | 设定告警 |
| Optional | Optional | Optional |

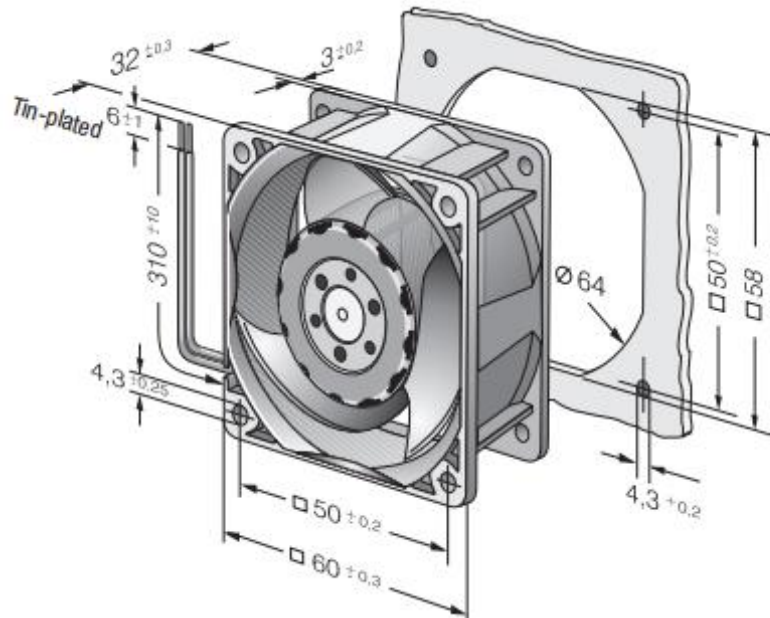
Speed regulation mode

| PPWM | VPWM | TC | RC |
|----------|----------|----------|----------|
| 占控比调速 | 电压调速 | 温控调速 | 电阻调速 |
| Optional | Optional | Optional | Optional |

Other products ▼

| Type | Rated voltage | Operating voltage range | Rated current | Input power | Rated speed | maximum air volume | | Maximum static pressure | | Noise |
|---------------------|---------------|-------------------------|---------------|-------------|-------------|---------------------|-------|-------------------------|------|---------|
| | [V] | [V] | [A] | [W] | [RPM] | [m ³ /h] | [CFM] | [mmAq] | [Pa] | [dB(A)] |
| NDS6032K12XC | 12 | 7 ~ 13.6 | 6.4 | 7.7 | 11700 | 70.2 | 41.2 | 30.5 | 298 | 53 |
| NDS6032K24XC | 24 | 14 ~ 26.4 | 6.4 | 7.7 | 11700 | 70.2 | 41.2 | 30.5 | 298 | 53 |
| NDS6032K48XC | 48 | 36 ~ 56.0 | 6.4 | 7.7 | 11700 | 70.2 | 41.2 | 30.5 | 298 | 53 |
| NDS6032M24XC | 24 | 14 ~ 26.4 | 7.6 | 14.6 | 15000 | 82.2 | 48.3 | 58.3 | 570 | 62 |
| NDS6032M48XC | 48 | 36 ~ 56.0 | 7.6 | 14.6 | 15000 | 82.2 | 48.3 | 58.3 | 570 | 62 |

Product drawing ▼



Curves ▼

